



Form A

Pilot ID

Flight #

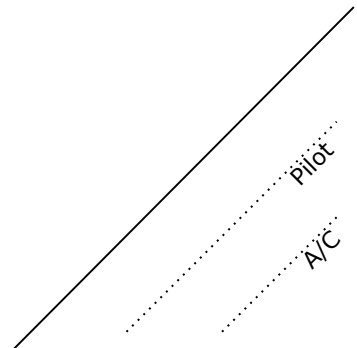
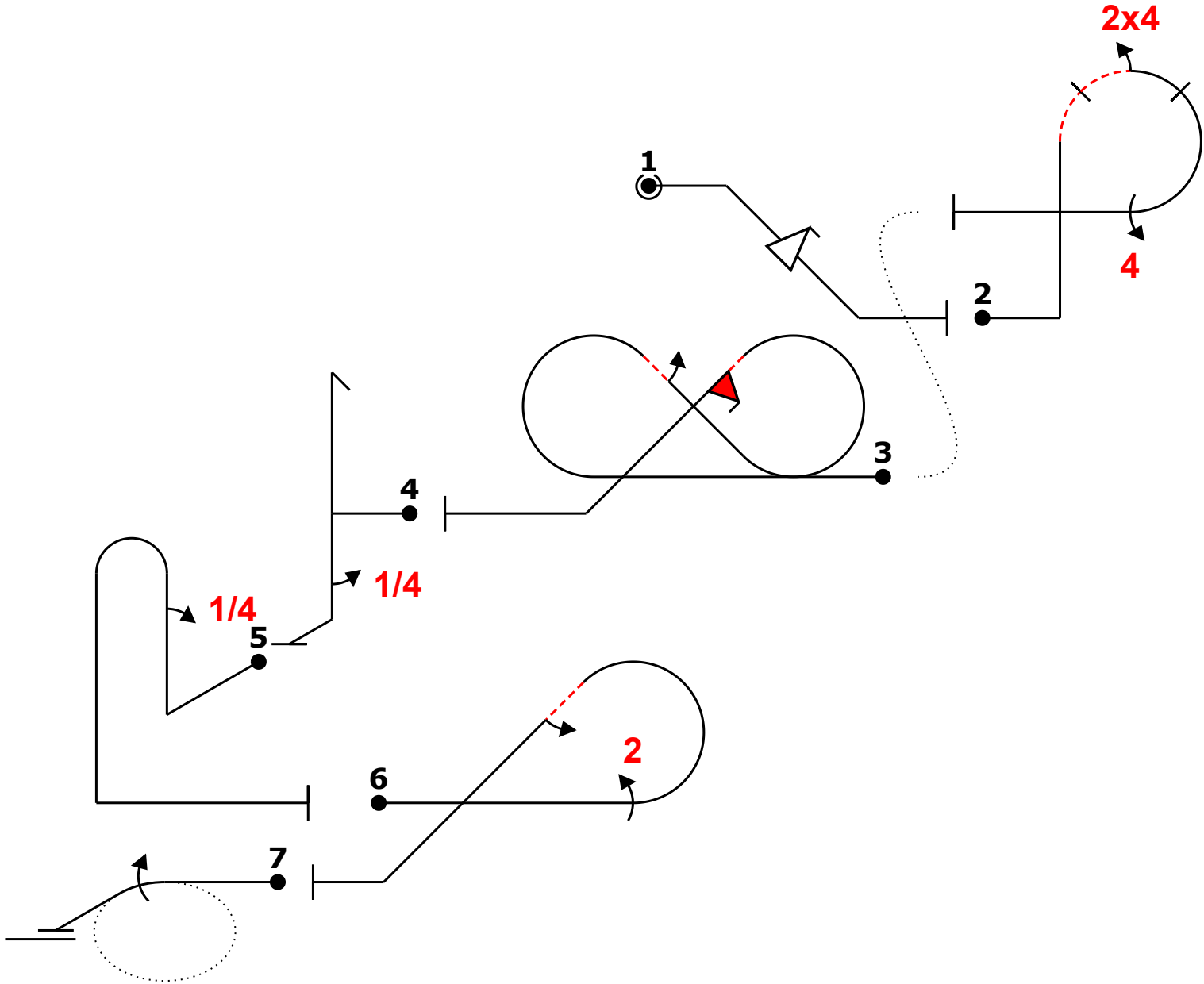
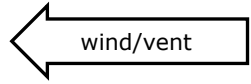
CIVA Glider Unlimited Unknown 1

No	Symbol	Cat. No.	K	Total K	Grade	Pos	Remarks	Item	K	Grade
1		1.1.2.3 9.9.4.4	7 16	23	.			Pos.	15	
								Harm.	0	
								Fig K	Total K	
2		8.6.19.1 9.4.3.2 9.4.3.4	12 8 17	37	.			193	208	
								Penalties		
								Too Low		
3		7.8.4.1 9.1.4.2 9.10.4.2	19 6 15	40	.			Too High		
								Interruptions		
								Insertions		
4		5.2.1.1 9.1.5.1	17 3	20	.			Trg Violation		
								Wing Rocks		
								Disqual Fig		
5		8.4.1.1 9.1.1.1	13 9	22	.			Other(note...)		
								Final Freestyle		
								Duration	Min	Sec
6		8.5.6.1 9.2.3.4 9.1.4.2	10 14 6	30	.			Judges Details		
								Signature		
								Name		
7		2.1.3.3	21	21	.			Number		

 Pilot
 A/C



		Form B
Pilot ID	CIVA Glider Unlimited Unknown 1	Flight #





		Form C
Pilot ID	CIVA Glider Unlimited Unknown 1	
		Flight #

